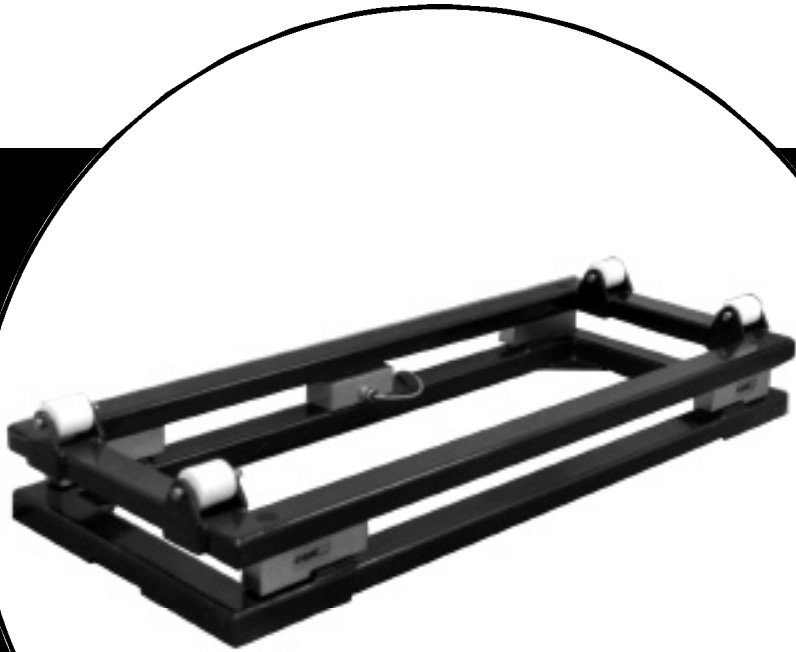


C3600P

Ton Container Scale



The Eagle Microsystems Model C3600P Electronic Single Ton Container scale is designed specifically for the water and wastewater industry. It is built with a rugged, corrosion-protected, steel box frame for years of reliable service. Weighing is accomplished using four precision, stainless steel, strain gage load cells to insure accuracy in excess of 0.1% of rated load. In addition, overload stops and all stainless steel hardware are standard on every scale. The scale is capable of weighing either chlorine or sulfur dioxide containers with a maximum capacity of 4000 lbs (1800 kg). If you are looking for the optimum device to control your expensive chlorine inventory, your only choice is the C3600P!

System Features

- Four sealed, precision, stainless steel load cells
- Better than 0.1% accuracy
- No pivots or bearings that require maintenance
- Overload stops and shock isolators for optimum performance
- Rugged steel box frame construction with acrylic urethane enamel finish
- Low profile (7 inches high), no scale pit required
- Built-in roller trunnions never require greasing
- All stainless steel hardware and load cells

Design Standard

The C3600P is designed to meet the requirements of Chlorine Institute Handbook #44. Scale is designed with frame and load cells within the dimensions of the ton container for optimum accuracy in weighing. Roller trunnions are non-corroding plastic with stainless steel axles to provide low friction rotation of ton container. No lubrication is required.

Your Source for Precision Process Solutions

eagle
MICROSYSTEMS

C3600P

CB600P

Ton Container Scale

Specifications			
Performance		Electrical	
Rated Capacity	4000 lbs. (1800 kg)	Load Sensing Element	Shear Beam
Operating Accuracy	0.1% of Rated Capacity	Excitation	5 - 18 Volts AC-DC
Nominal Output	1.5 MV/V \pm 0.25%	Electrical Connection:	15 ft. of 6 Cond. Cable
Nonlinearity	0.3% of Capacity		
Repeatability	0.2% of Capacity		
Temperature		Material	
Compensated Range	0 to 150 °F	Frames	Cold Rolled Steel
Effect on Rated Output	0.0008% /°F	Load Cells	17-4 Stainless Steel
		Shock Isolator	Fabreeka®
Load Specs		Hardware: Stainless Steel	
Safe Overload	200% of Capacity		
Ultimate Overload	400% of Capacity	Dimensions:	2' X 5' X 7"H

Options & Accessories

- Electronic readout instruments -
See Data Sheet EI-1000/2000
- Safety straps for securing ton container to scale
- Extended rollers for European containers
- Ton container rotation arm
- Ton container lifting beam
- Universal dolly for transporting containers
- Roller trunnions for off scale storage
- Storage cradles

